

# POWER PRO Modular Marine Battery Charger Assembly Instructions

The Battery Tender Power Pro Modular Marine Charging system components are sold separately. The three different components are shown in Fig. 1-3. The modular base plate (three position or four position), the modular charger assembly, and the modular cover plate.

## POWER PRO Modular Marine Charger

### IMPORTANT SAFETY INSTRUCTIONS

**SAVE THESE INSTRUCTIONS:** This manual contains important safety and operating instructions for the DELTRAN BATTERY TENDER® POWER PRO Modular Marine Charger. **CAREFULLY READ THESE INSTRUCTIONS BEFORE USING THIS DEVICE.**

#### WARNING AND CAUTION LABEL DEFINITIONS:

**WARNING** WARNING indicates a potentially hazardous situation, which, if not avoided, could result in serious injury or death.

**CAUTION** CAUTION indicates a potentially hazardous situation, which, if not avoided, may result in minor or moderate injury.

**CAUTION** CAUTION used without the safety alert symbol indicates a potentially hazardous situation that if not avoided, may result in property damage.

#### GENERAL PRECAUTIONS

**WARNING** Battery posts, terminals and related accessories contain lead and lead components, chemicals known to the State of California to cause cancer and birth defects or other reproductive harm. Always wash your hands after handling these devices.

#### WARNING-RISK OF EXPLOSIVE GASES

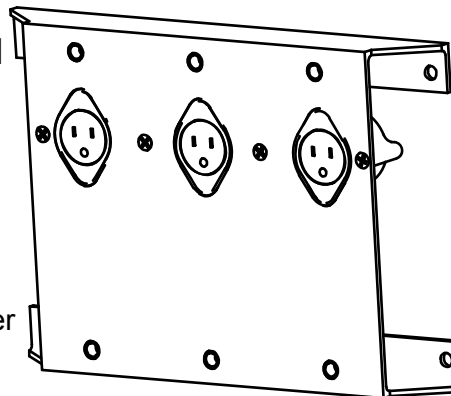
**WORKING WITH LEAD ACID BATTERIES AND BATTERY CHARGERS:** All lead acid batteries have the potential to emit gasses that may combine into a combustible or explosive mixture. In many cases, it is possible that lead acid batteries will emit these gasses during normal discharge and charging operations. Because of this potential danger, it is important that you follow the precautions recommended by both the battery and battery charger manufacturers before using either one.

#### WARNING WHEN YOU WORK NEAR LEAD-ACID BATTERIES:

- Someone should be within range of your voice or close enough to come to your aid if you have an accident;
- Have plenty of fresh water and soap nearby in case battery acid contacts skin, clothing, or eyes;
- Wear complete eye protection and protective clothing. Avoid touching your eyes while working near a battery. If battery acid contacts your skin or clothing, wash immediately with soap and water. If acid enters an eye, immediately flood the eye with running cold water for at least 10 minutes and get medical attention as soon as possible;
- Be extra cautious when handling metal tools around a battery. If you drop a metal tool near a battery it might spark or create a short circuit between the battery terminals and some other metal part. Either event may cause a dangerous electrical shock hazard, a fire, or even an explosion;
- Remove all personal metal items such as rings, bracelets, necklaces, and watches when working with a lead-acid battery. A lead-acid battery can produce a short-circuited current high enough to weld a metal ring or other piece of jewelry, causing a severe burn.

### Modular base plate

- 1 Base plate w/ power cord  
3 bank P/N 024-0003  
4 bank P/N 024-0005
- 1 Instruction manual



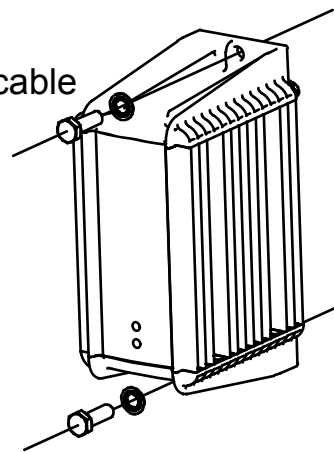
**WARNING** Outlets on base plate will only accept plug from modular charger, never attempt to plug other devices into base plate.

Suggested mounting hardware:  
1/4"-5/16" hex bolt or machine screw with hex nut and washers,  
or 1/4"-5/16" lag bolt with washer.

Fig. 1

### Modular charger assembly

- 1 Charger assembly w/ 6ft output cable  
P/N 022-0179
- 2 M8 x 1.25 x 25mm bolt
- 2 M8 internal tooth lock washer

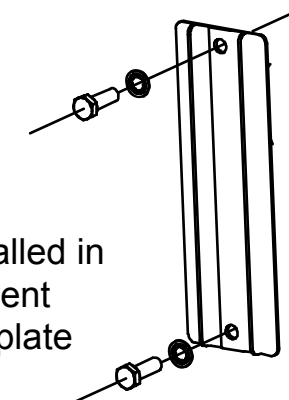


**CAUTION** Maximum torque for M8 x 1.25 x 25mm bolts is 10 ft-lbs.

Fig. 2

### Modular cover plate

- 1 Cover plate  
P/N 400-0221
- 2 M8 x 1.25 x 25mm bolt
- 2 M8 internal tooth lock washer



**CAUTION** Cover plate must be installed in all unused charger positions to prevent shock hazard and damage to base plate

Fig. 3

**WARNING** Never plug base plate into wall outlet during assembly. Never attempt to plug a Modular charger assembly directly into a wall outlet. Never plug anything other than a modular charger assembly or cover plate into the base plate.

### Materials Required

- 1 Modular marine base plate 3 bank or 4 bank
- 1 or more Modular charger assemblies
- Cover plates to cover any unused positions

### Example: 4 bank base plate w/ 3 charger assemblies

- 1 Modular marine 4 bank base plate
- 3 Modular marine charger assemblies
- 1 Modular cover plate

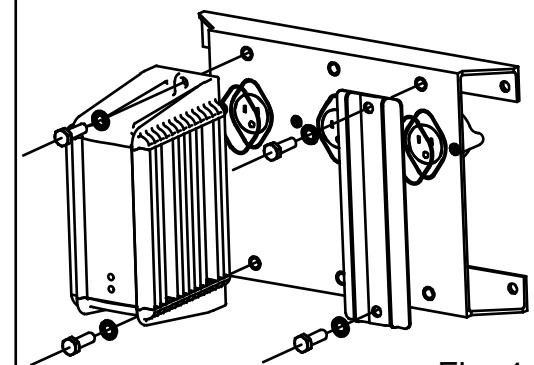


Fig. 4

### Assembly steps

- Unpackage all components.
- Verify all components present as listed in Fig. 1-3
- Insert modular charger assembly plug into base plate socket. Fig. 4
- Install M8 x 1.25 bolts w/ supplied washers into mounting tabs and torque to 10 ft-lbs.
- Repeat step 4 for remaining modular charger assemblies.
- In all base plate positions that remain unused install modular cover plate. Fig. 4
- Install M8 x 1.25 bolts w/ supplied washers into modular cover plate and torque to 10 ft-lbs.
- Mount base plate to solid surface with hardware suggested in Fig. 2, allow for 4" of clearance from surfaces of charger to allow for proper cooling.
- Connect charger leads to battery/batteries, red lead to positive terminal, black lead to negative terminal of each battery. If batteries are wired in series make sure each DC output is connected across only one battery. See Fig. 5 for detail.
- Connect power cord from POWER PRO Modular Marine Battery Charger to an AC receptacle and allow batteries time to charge.

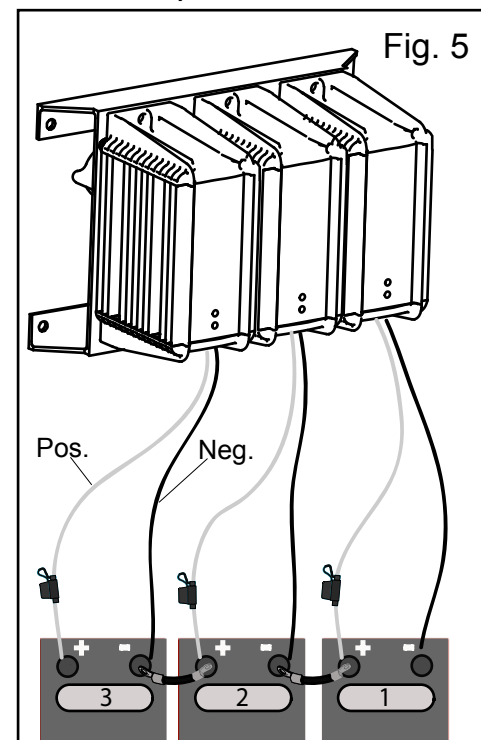


Fig. 5

**DELTRAN CORPORATION**  
801 International Speedway Blvd.  
DeLand, Florida 32724  
Phone 386-736-7900 FAX 386-736-0379  
[www.batterytender.com](http://www.batterytender.com)